

ProForce® 1200XP
ProForce® 1500XP

107251 ProForce 1200XP **\$485**
 107252 ProForce 1500XP **\$569**

Our top-of-the-line ProForce uprights have evolved into superior cleaning machines. The ProForce 15" uprights provide exceptional cleaning in a high-filtration upright to improve reach, durability, and Indoor Air Quality. The dual motor system and exhaust filters made from HEPA media maximize efficiency and effectiveness. The powerful ProForce contains a high-performance dual-motor system and a low profile, L-shaped head perfect for vacuuming under and around furniture.

ProForce 1500XP and ProForce 1200XP models are equipped with premium quality on-board tools including a lightweight plastic wand with a super stretch-hose.

The ProForce 1200XP is designed for advanced versatility allowing the 12" powerhead to reach even smaller spaces.



HIGH PILE



SUSTAINABLE



COST OF OWNERSHIP



INDOOR AIR QUALITY



LAYS FLAT

Specifications

Weight:	18 lbs./8.17 kg
Handle Weight:	4.7 lbs./2.13 kg
Motor Airflow:	96 CFM
Static Lift:	84 in.
Motor:	924 W Dual Motor/10 A
Decibel:	67 dBA
Capacity:	3.25 qt/3 L
ProLevel Filtration® w/ Three Levels of Filtration:	522 sq. in. total media

***ProLevel Filtration System with HEPA Media**

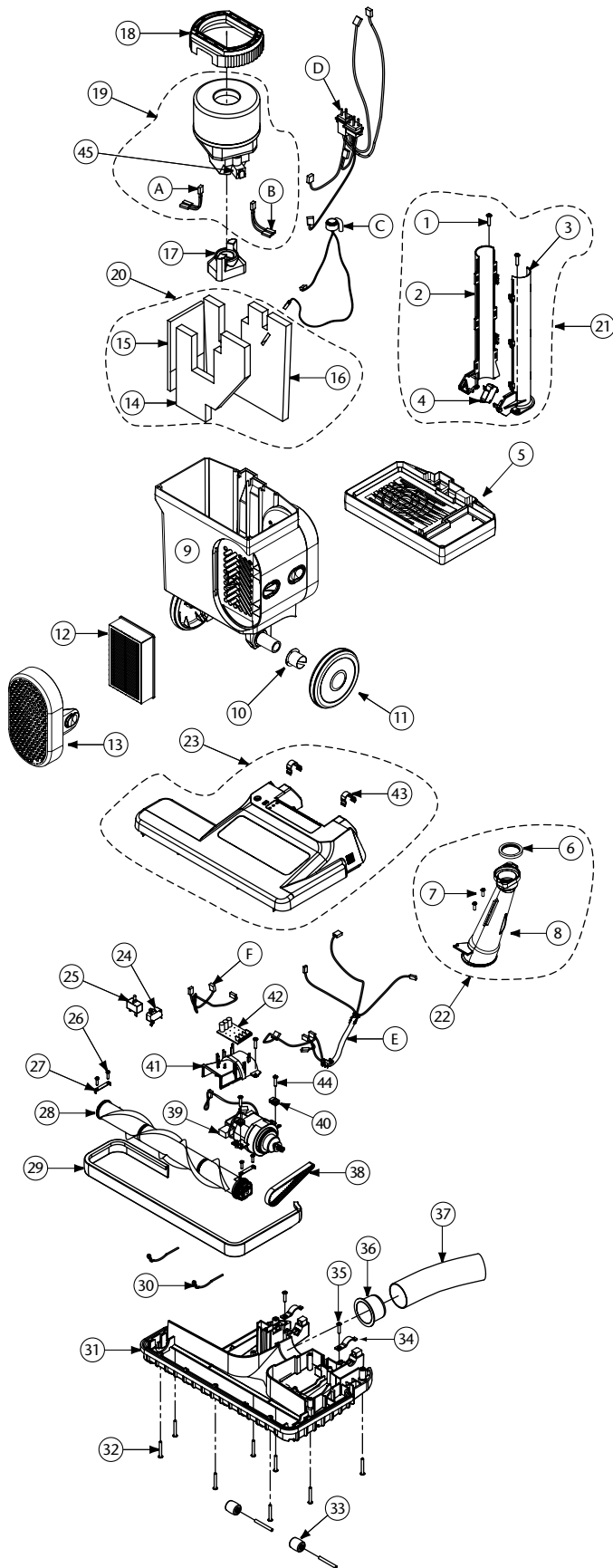
ProForce 1200XP: captures 97.33% at 0.3-.5 microns per ASTM 3150
 ProForce 1500XP: captures 98.73% at 0.3-.5 microns per ASTM 3150

Warranty

3 years parts, labor, motor and molded body parts (except for wear items)

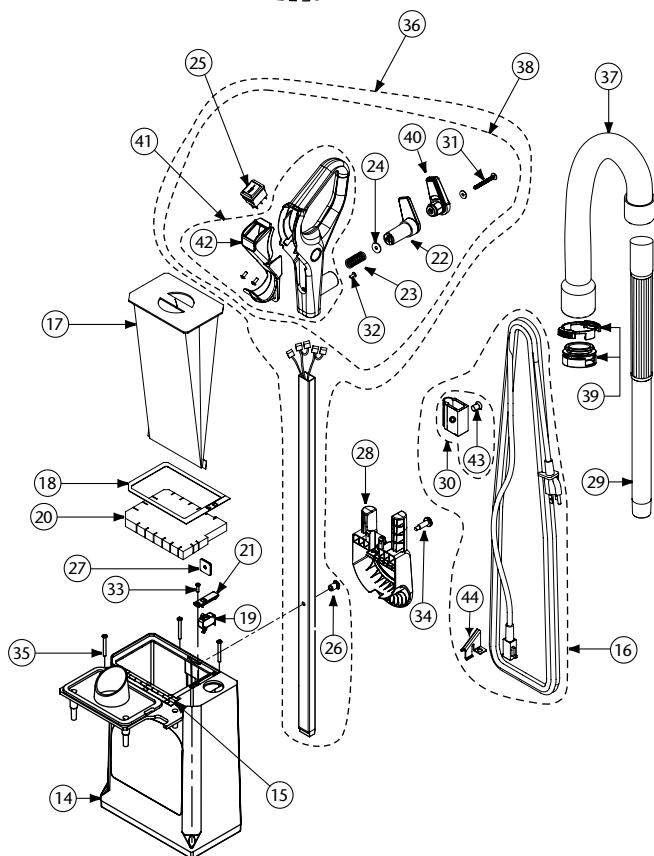
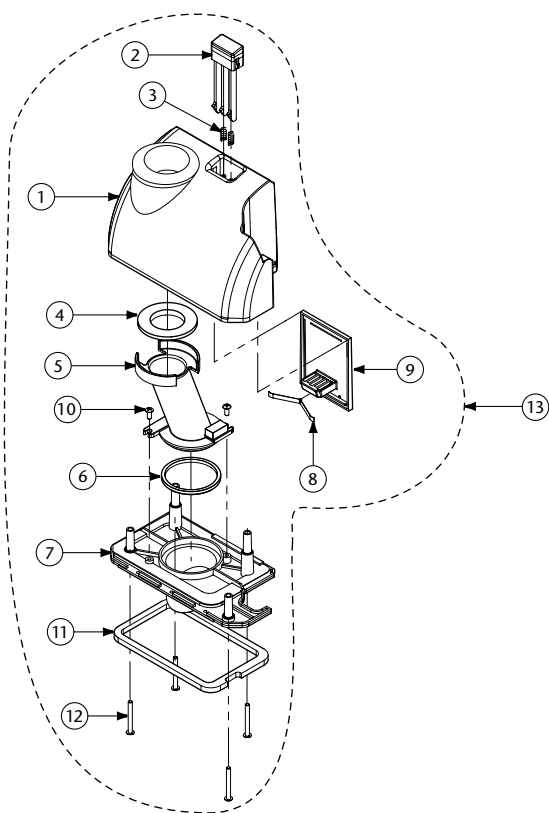
**The filtration value of ProTeam's ProLevel Filtration System in this vacuum is achieved by the use of a multi-stage filtration system, including intercept micro filter, foam filter, and post-motor filter made from HEPA media, as tested per ASTM 3150.*

PROFORCE 1500XP/1200XP PARTS



No.	Product Name	Qty	List Price
1	104267 Screw, Phillips, 4mm x 12mm F/Wand Guide	2/pk	\$ 7.16
2	104260 Guide, Wand, Upper Right	1 ea.	3.69
3	104261 Guide, Wand, Upper Left	1 ea.	3.69
4	104263 Switch, Wand Lockout	1 ea.	10.92
5	107255 1500XP Bulkhead, Dark Grey	1 ea.	16.28
6	104253 Seal, Lower Air Duct, Nitrile	1 ea.	1.36
7	104267 Screw, Phillips, 4mm x 12mm F/Lower Air Duct	2/pk	7.16
8	104250 Air Duct	1 ea.	11.48
9	107257 1500XP Motor Housing, Charcoal	1 ea.	38.34
10	104504 Bearing, Pivot	2/pk	7.16
11	104306 Wheel, Rear	2/pk	13.50
12	107005 1500XP Exhaust Filter made from HEPA Media	1 ea.	6.13
13	107258 1500XP Filter Cover	1 ea.	5.53
14	103532 Foam, Sound, Motor Housing, Front Panel	1 ea.	5.75
15	103533 Foam, Sound, Motor Housing, Left Panel	1 ea.	3.37
16	103531 Foam, Sound, Motor Housing, Rear Panel	1 ea.	8.10
17	104247 Motor Mount, Lower Nitrile	1 ea.	6.75
18	104249 Motor Mount, Upper Nitrile	1 ea.	11.48
19	104957 Motor Assembly w/Jumpers (includes: A, B)	1 kit	80.99
20	105488 Motor Housing Sound Filter (includes: #14,15,16)	1 kit	16.20
21	105490 Wand Kit (includes: #1, 2, 3, 4)	1 kit	13.57
22	105489 Air Duct Kit (includes: #6, 7, 8)	1 kit	12.16
23	107282 1500XP Power Nozzle Cover w/Detent Springs & Decal (includes: #43)	1 ea.	33.34
107283	1200XP Power Nozzle Cover w/Detent Springs & Decal (includes: #43)	1 ea.	33.34
24	104279 Switch, Safety, Power Nozzle Lockout	1 ea.	14.55
25	104212 Circuit Breaker	1 ea.	20.67
26	104496 Screw, Phillips, 3.5mm x 13mm, F/Brush Retainer	4/pk	5.62
27	104499 Retainer, Brush Roll	2/pk	2.70
28	104216 Brush Roll, Power Nozzle, 14"	1 ea.	32.17
107163	1200XP Brush Roll, Power Nozzle, 12"	1 ea.	32.17
29	104218 1500XP Bumper, Power Nozzle, Vinyl	1 ea.	7.37
107166	1200XP Bumper, Power Nozzle, Vinyl	1 ea.	7.37
30	104500 Brace, Formed Wire, F/Power Nozzle Base	2/pk	2.70
31	104221 Baseplate, Power Nozzle	1 ea.	48.55
107167	1200XP Baseplate, Power Nozzle	1 ea.	48.55
32	104497 Screw, Phillips, 4mm x 35mm F/Base Cover	8/pk	6.38
33	834363 Wheel/Axle Replacement Kit	1 kit	7.61
34	104503 Clamp, Rear Wheel	1 set	4.72
35	104495 Screw, Phillips, 4mm x 19mm F/Powerhead	5/pk	3.69
36	104227 Sleeve, Hose, Air Duct	1 ea.	2.70
37	104230 Hose, Power Nozzle to Air Duct, Lower	1 ea.	6.23
38	104217 Belt, Drive, F/Brush Roll	1 ea.	6.14
39	104506 Motor, Power Nozzle with Crimps	1 ea.	79.86
40	104498 Grommet, Vibration, Power Nozzle Motor, Nitrile	2/pk	2.70
41	104224 Cover, Air Duct, Power Nozzle	1 ea.	5.08
42	104226 Board, Vacuum Operation Indicator	1 ea.	9.82
43	104507 Spring, Detent, Upright Lock	2/pk	3.69
44	105371 Screw, Phillips, 4.2mm x 19mm, F/Power Nozzle Motor	2/pk	2.46
45	105281 Carbon Brush Set for ProForce Motor	1 set	22.24
105754	Wire Harness Kit includes:	1 set	34.98
	A. Harness, Jumper, Red	B. Harness, Jumper, White	
	C. Sensor, Bag Full Indicator	D. Harness, Main Power Supply	
	E. Harness, Wire, Power Nozzle	F. Harness, Power Nozzle Switch	

PROFORCE 1500XP/1200XP PARTS



No.	Product Name	Qty	List Price
1	104234 Cover, Bag Housing, Grey F/XP	1 ea.	\$18.41
2	104232 Latch, Release, Bag Cover	1 ea.	4.91
3	104233 Spring, Release Button, F/Bag Cover Latch	2/pk	2.46
4	104235 Seal, Transition Duct/Bag Cover, Upper	1 ea.	4.29
5	104236 Duct, Transition, Bag Cover, F/XP	1 ea.	7.37
6	104238 Seal, Transition Duct/Bag Cover Nozzle Plate, Lower	1 ea.	2.46
7	104239 Plate, Bag Cover Nozzle, F/XP	1 ea.	5.75
8	104242 Spring, Bag Cover Latch	1 ea.	3.69
9	104243 Plate, Bag Cover Latch	1 ea.	2.70
10	104505 Screw, Phillips, 4mm x 9.5mm	2/pk	2.46
11	104241 Gasket, Bag Cover	1 ea.	2.70
12	104493 Screw, Phillips, 4.2mm x 35mm	4/pk	4.51
13	105486 Filter Cover Kit w/Riveted Hinge and 6 Rivets (includes: #1-12)	1 kit	48.59
14	107260 1500XP Bag Housing Assembly, Grey w/Riveted Hinge & Decal Incl: Bag Cover Nozzle Plate	1 ea.	44.17
	107285 1200XP Bag Housing Assembly, Grey w/Riveted Hinge & Decal Incl: Bag Cover Nozzle Plate	1 ea.	44.17
15	104491 Rivet F/Bag Housing Assembly	6/pk	3.69
16	104284 Cord, Power, w/Strain Relief, 50' Yellow (includes: #30, 44)	1 ea.	43.46
17	103483 Intercept Micro Filter	10/pk	11.21
18	104738 Seal, Gasket, Bag Housing	1 ea.	2.70
19	104283 Switch, Filter, Lock-Out	1 ea.	11.48
20	104281 Filter, Double Layer Motor Intake	1 ea.	3.21
21	104282 Cover, Switch, Filter Lock-out	1 ea.	2.70
22	104268 Bracket, Cord Wrap	1 ea.	4.91
23	104269 Spring, Compression, Cord Wrap Bracket	1 ea.	2.70
24	104270 Washer, Compression Spring, Cord Wrap Bracket	1 ea.	1.23
25	105147 Switch, Rocker, On/Off	1 ea.	14.72
26	104264 Bushing, Handle Tube	1 ea.	1.36
27	104259 Plate, Handle Nut	1 ea.	1.36
28	107256 Handle, Carry w/Tool Caddy, F/XP	1 ea.	6.14
29	104294 Wand, F/XP	1 ea.	16.20
30	105091 Clasp, Strain Relief Kit w/Fastener (include: #43)	1 ea.	6.75
31	104271 Screw, Cord Wrap, M4 x 45mm, Phillips Round Head	1 ea.	2.46
32	104509 Screw, Phillips, 4mm x 16mm x .07 Pitch, F/Handle Assembly	1 ea.	2.46
33	105075 Screw, Phillips, 2.9mm x 13mm, F/Switch Cover	1 ea.	4.39
34	104266 Screw, Handle Assembly	1 ea.	1.51
35	104493 Screw, Phillips, 4.2mm x 35mm	4/pk	4.51
36	106618 Handle, Tube Assembly Complete, F/XP (includes: #26, 38)	1 ea.	66.81
37	104961 Hose, Assembly w/Cuffs, F/XP (includes: #39)	1 ea.	47.24
38	106617 Handle Kit (includes: #22, 23, 24, 25, 31, 32, 40, 41)	1 kit	44.17
39	105573 Quick Release Hose Cuff	1 ea.	18.31
40	107093 Impact Bumper	1 ea.	2.81
41	106619 Handle/Bezel Assembly (PF 1500XP) (includes #42)	1 ea.	26.92
42	106739 Handle Bezel (PF 1500XP)	1 ea.	8.78
43	105320 Fastener	1 ea.	5.27
44	107203 Cord Retention Clip	1 ea.	3.13